

# Multiport® Pressure Relief Valve Manifold Assemblies For Large CO2 Containers, ASME UA8560, UA8570 Series



## Application

Designed especially for use as a primary relief device on large stationary pressurized storage containers with flanged openings. These manifolds incorporate an additional relief valve, not included in the flow rating, allowing for servicing or replacement of any one of the relief valves without evacuating the container. The handwheel on the manifold selectively closes off the entrance port to the relief valve being removed while the remaining relief valves provide protection for the container and its contents. All manifold flow ratings are based on flow through the relief valves after one has been removed for service or replacement.

## Features

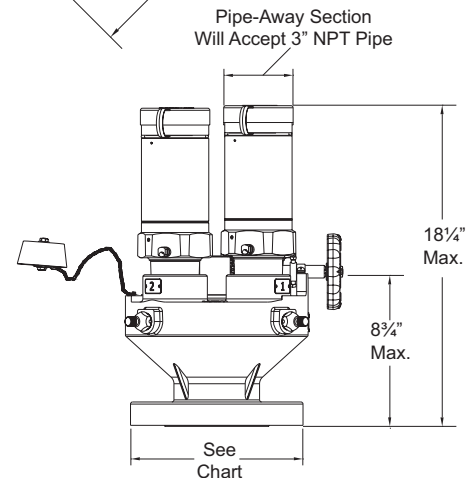
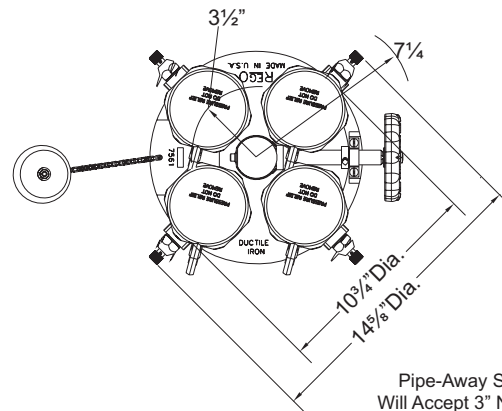
- Allows for relief valve removal and replacement on a periodic basis without shutting down and evacuating the container
- “Pop-action” design of relief valves insures maximum protection with only minimal product loss at moderately excessive pressures
- A rubber plug with chain is provided to protect manifold outlet threads where the relief valve has been removed
- May be mounted directly to a welding neck flange or manway cover plate. Requires no inlet piping
- Relief valves designed to automatically reseal firmly after discharge
- Resilient relief valve seat disc provides “bubble-tight” seal
- Relief valves are ASME rated, UA3149 Series
- Certified CE

## Materials

Body ..... Ductile Iron  
 Resilient Parts ..... Teflon  
 Clapper Disc ..... Stainless Steel  
 Bleeder Valve ..... Stainless Steel



**A8560 A8570**



## Bolt Stud and Nut Assemblies

Part Number	Consists of	For Use With:	For Connection To:	Number Required
7560-55	1-Bolt Stud and Nut	All RegO Multiports™	Modified 3" - 300# and 4"-ASA 300# Welding Neck Flange	8
7560-56			Manway Cover Plate	

## Ordering Information

Part Number	Start To Discharge Setting	Container Flange Connection	Relief Valve		
			Max Quantity	Part Number	Inlet Connection M. NPT Inches (mm)
UA8564A330	330 psig (22.7 barg)	3"-300#*	4	UA3149A330	2 1/2" (63.5)
UA8574A290	290 psig (20.0 barg)	4"-300#		UA3149A290	

\* For use with modified 300# ANSI flange with 4" port.  
 \*\* Outlet 3 1/2-8N (F) thread, will accept 3" M. NPT pipe thread.