

LP-Gas Fueling Nozzle FN Series

Application

Designed for LP-Gas fueling stations, the FN Series LP-Gas fueling nozzle provides a fast flow rate and low emission on disconnect. The FN Series fueling nozzle only allows gas to flow when it is correctly coupled, no opening is possible when misaligned.

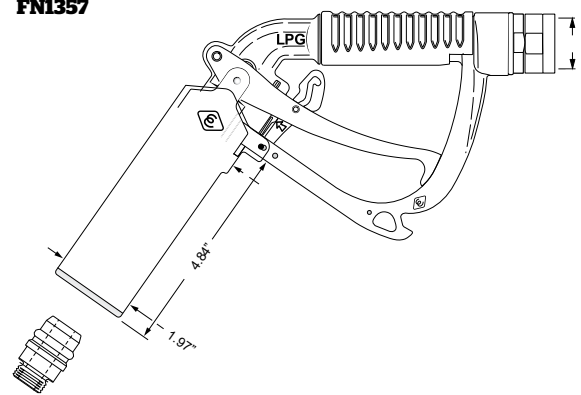
Features

- Meets 2020 NFPA 58 guidelines
- Quick, safe and reliable
- Light weight and easy to use
- Less emissions when compared to ACME connector
- Nearly identical refueling experience to gasoline or diesel
- Flow rate: up to 13 gpm
- Low maintenance = low running cost
- Safety hold-open latch
- Both latched and unlatched versions are UL Standard
- Fully repairable
- 18 Month manufacturer's warranty
- One hand operation
- 3/4" NPT hose connection
- Can be used with propane, butane and mixtures
- Only allows gas flow when correctly coupled

REGO
18
MONTH
WARRANTY



FUELING NOZZLE
FN1356 SERIES



Underwriters Laboratory listed,
file reference No. MH17142, Vol.
Meets EN13760/UN R67 / ISO 19825



Designed, tested and marks in
accordance with ATEX.

Part Number	Flow Rate	Talker	Accessories			
			Nozzle Holster		Talker	
			Locking	Non-Locking	Black	Orange
FN1355	13 GPM	Not Included	FN1001	FN1000	FN1300	FN3101
FN1356		Black				
FN1357		Orange				